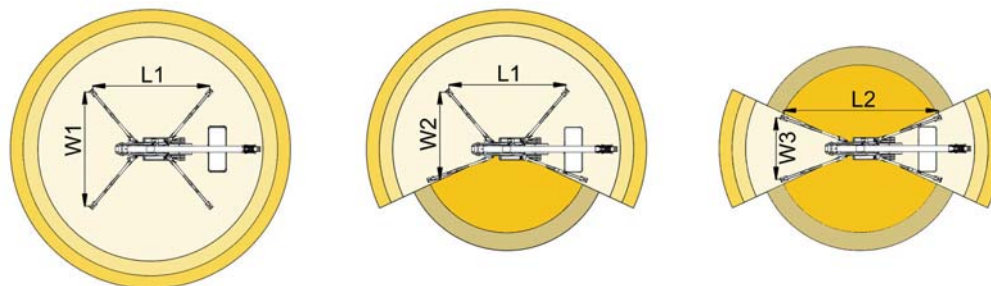
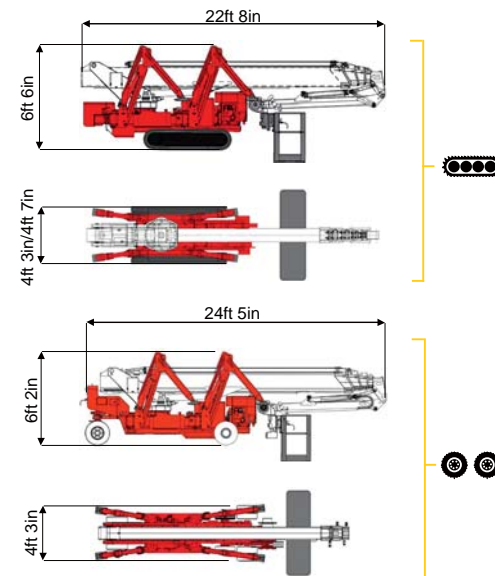
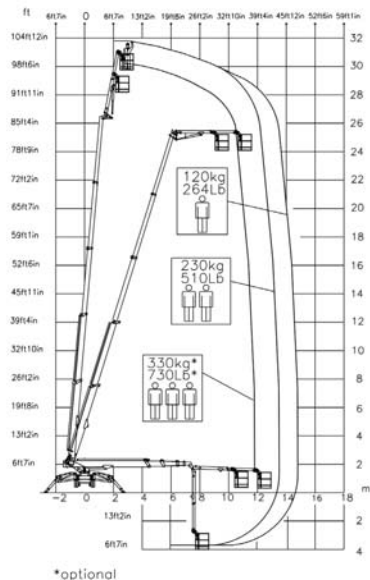
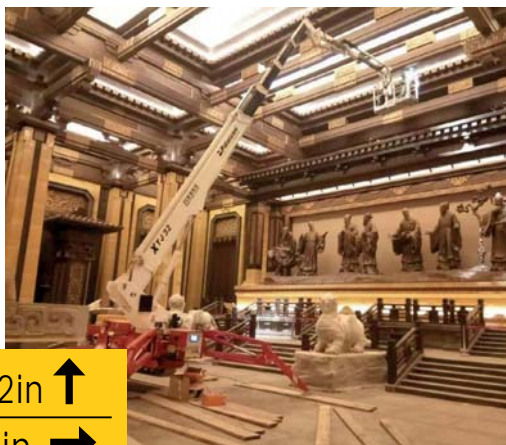
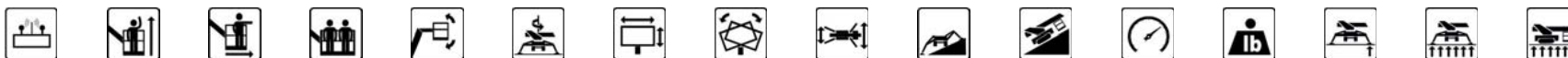


104ft 12in ↑
46ft 11in →
730 lb*



| | | | | | | | | | |
|----------|----------|-----------|----------|------------|-----------|----------|----------|----------|---------|
| 38ft 5in | 43ft 8in | 46ft 11in | 27ft 7in | 32ft 10in | L1 | L2 | W1 | W2 | W3 |
| 730 lb* | 510 lb | 264 lb | 730 lb* | 264/510 lb | 16ft 10in | 21ft 2in | 15ft 7in | 12ft 5in | 9ft 3in |

BI-ENERGY Diesel+AC



| | | | | | | | | | | | | | | | | |
|-----------|--|------------|-----------|---------|------|------|------------------|---------|------------------|-----|-----|----------|----------|---------|-----------|-----------|
| XTJ 105/C | | 104ft 12in | 46ft 11in | 730 lb* | 170° | 660° | 5ft 11inx2ft 4in | 90°+80° | 9ft 3in/15ft 7in | 16% | 38% | 2,49 mph | 13095 lb | 7868 lb | 50,75 psf | 99,83 psf |
| XTJ 105/R | | 104ft 12in | 46ft 11in | 730 lb* | 170° | 660° | 5ft 11inx2ft 4in | 90°+80° | 9ft 3in/15ft 7in | 16% | 18% | 1,24 mph | 5940 kg | 7868 lb | 50,75 psf | 92,52 psf |

Available version:

- BI-ENERGY (DIESEL+AC)
- ECO (DC+AC)
- HYBRID (DIESEL+DC)

Characteristics and technical data are informative only and subjected to change without notice.



COMPANY WITH
QUALITY SYSTEM
CERTIFIED BY DNV GL
= ISO 9001 =

Palazzani Industrie S.p.A.
Via del Pavione, 4 - 25050 - Paderno F.C. (BS) - Italy
Tel. (+39) 0306857073
platforms@palazzani.it
www.palazzani.it